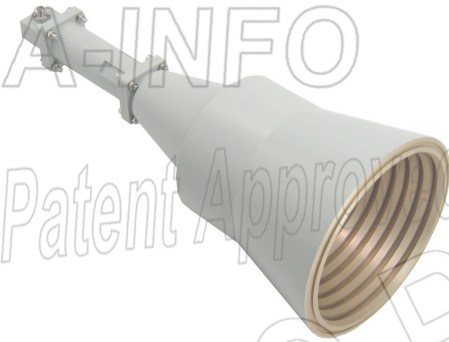


For reference only. See data sheet for the detailed specifications.

## Technical Specification



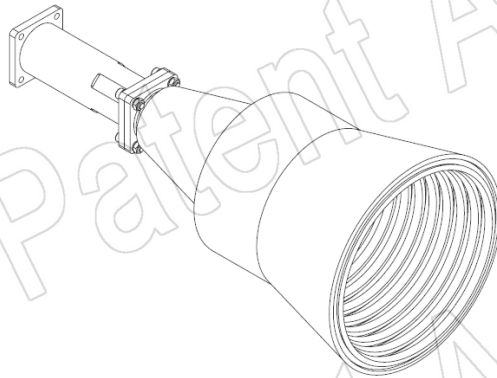
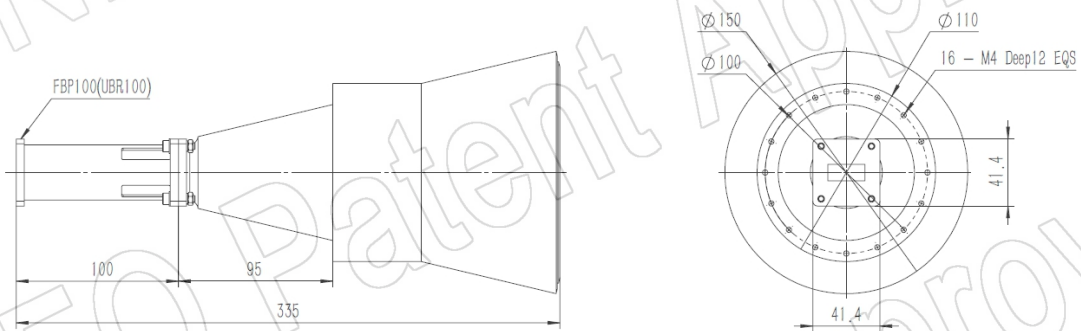
Frequency Range(GHz)	8.2 - 12.4
Waveguide	WR90
Gain(dBi)	20 Typ.
Polarization	Linear
3dB Beamwidth(deg)	E Plane: 16 Typ.
	H Plane: 17 Typ.
Cross Pol. Isolation(dB)	40 Typ. / 30 Min.
VSWR	A Type: 1.30:1 Typ.
	C Type: 1.50:1 Typ.
Output	A Type: FBP100(UBR100) SMA-Female or N-Female
	C Type: or TNC-Female or 7mm or 3.5mm-Female
Material	Al
Finish	Chemical Conversion Coating, Gray Paint
Size(mm)	A Type: 150 x 150 x 335
	C Type: 150 x 150 x 373
Net Weight(Kg)	A Type: 1.60 Around
	C Type: 1.70 Around

**PATENT ID (China)**

**ZL201630458537.2**

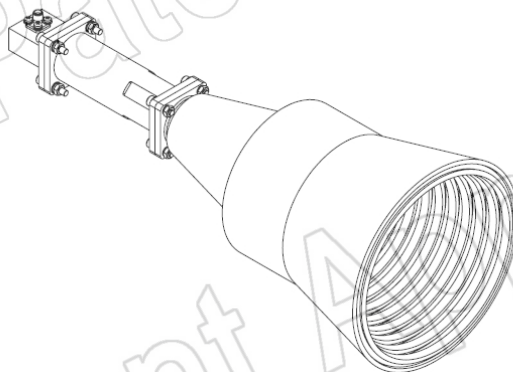
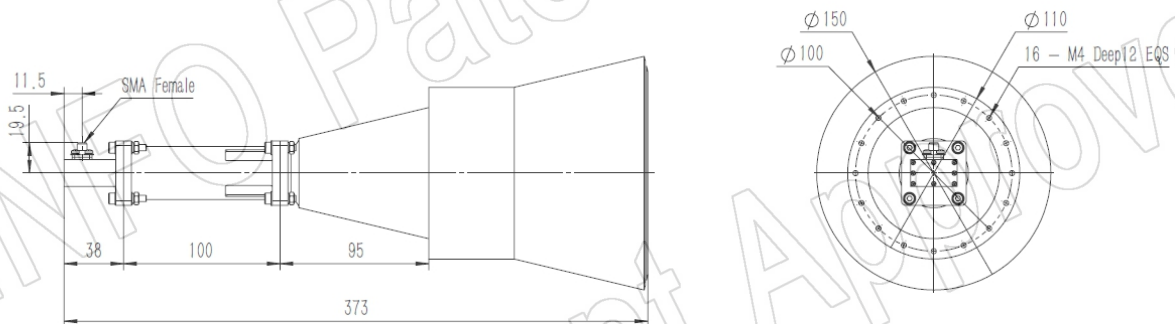
## Outline Drawing (Size: mm)

FBP100 Output (P/N: LB-CH-90-20-A)

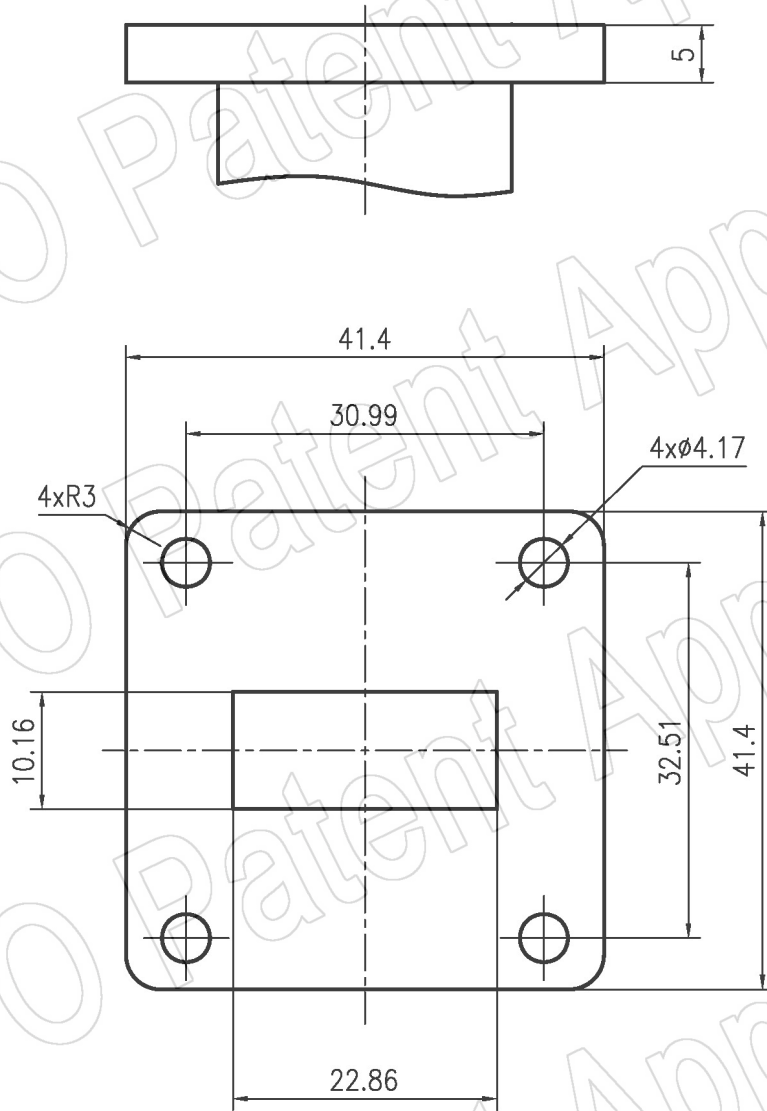


## SMA-Female Output (P/N: LB-CH-90-20-C-SF)

For N-Female, TNC-Female, 7mm or 3.5mm-Female output outline drawing, please contact A-INFO.



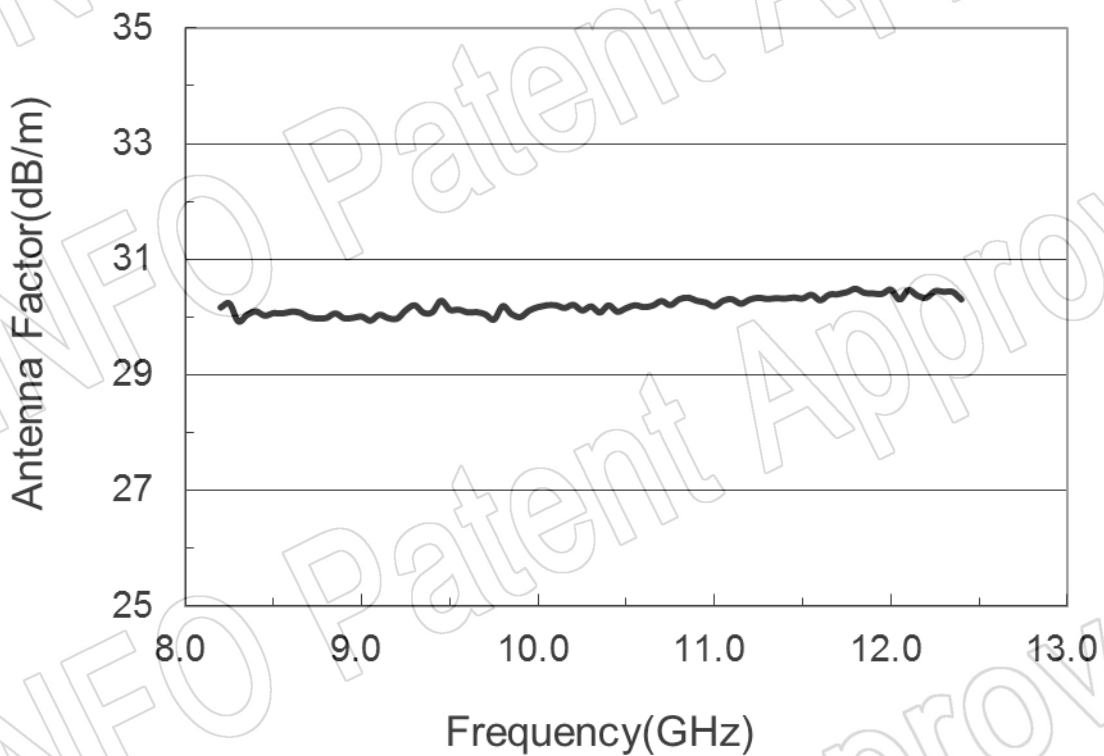
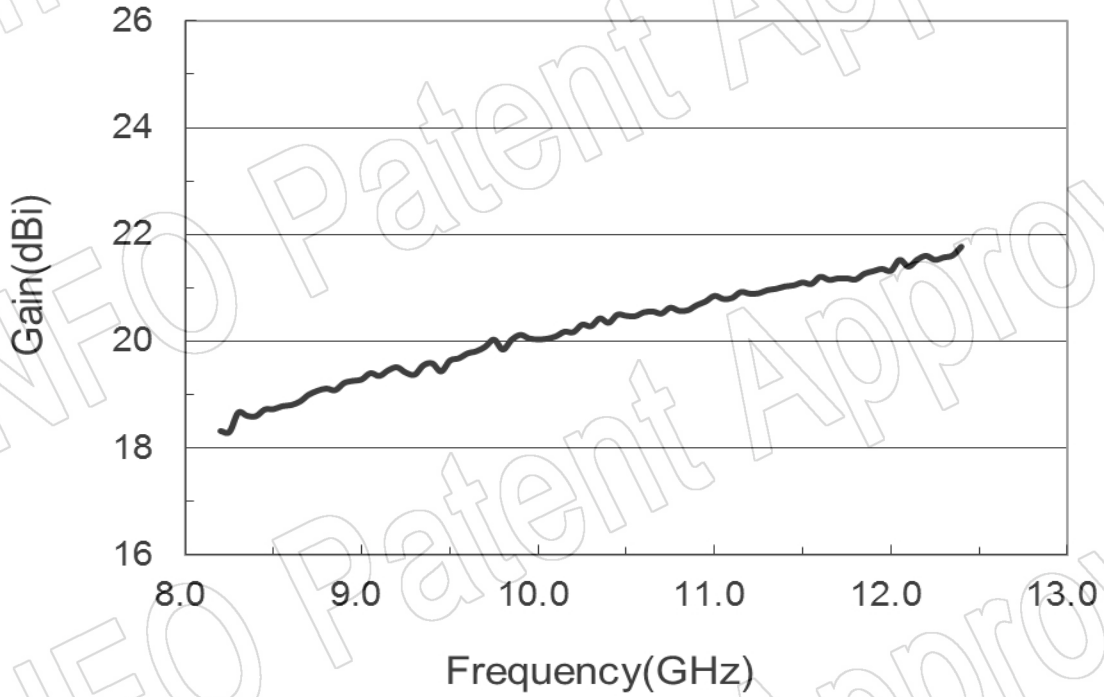
## Flange Drawing (Size: mm)



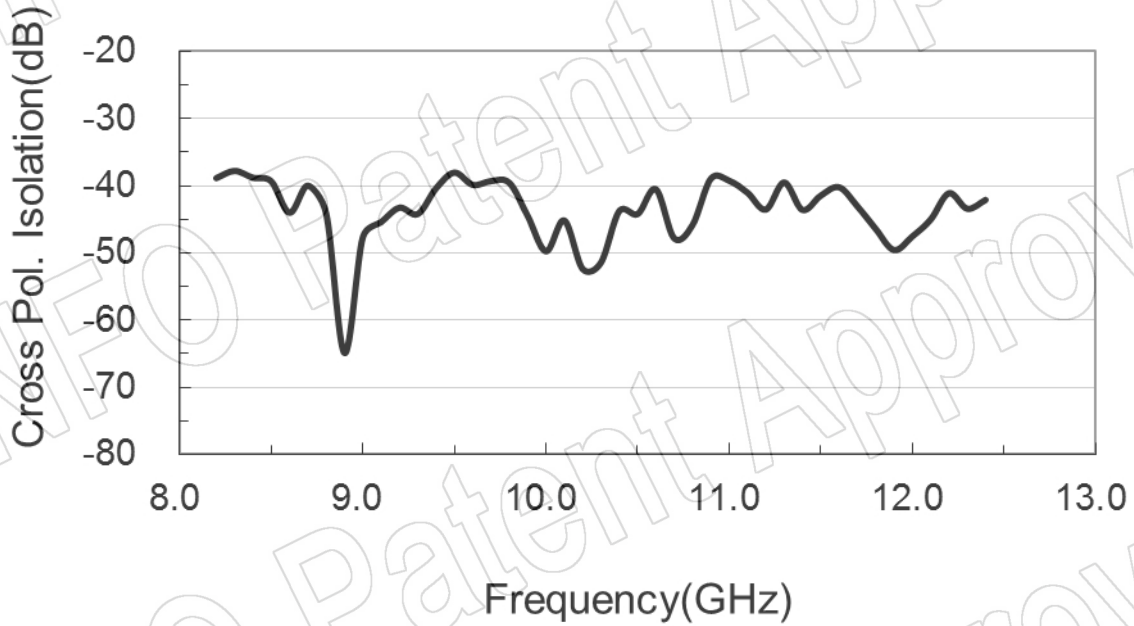
**FBP100**

## Test Results

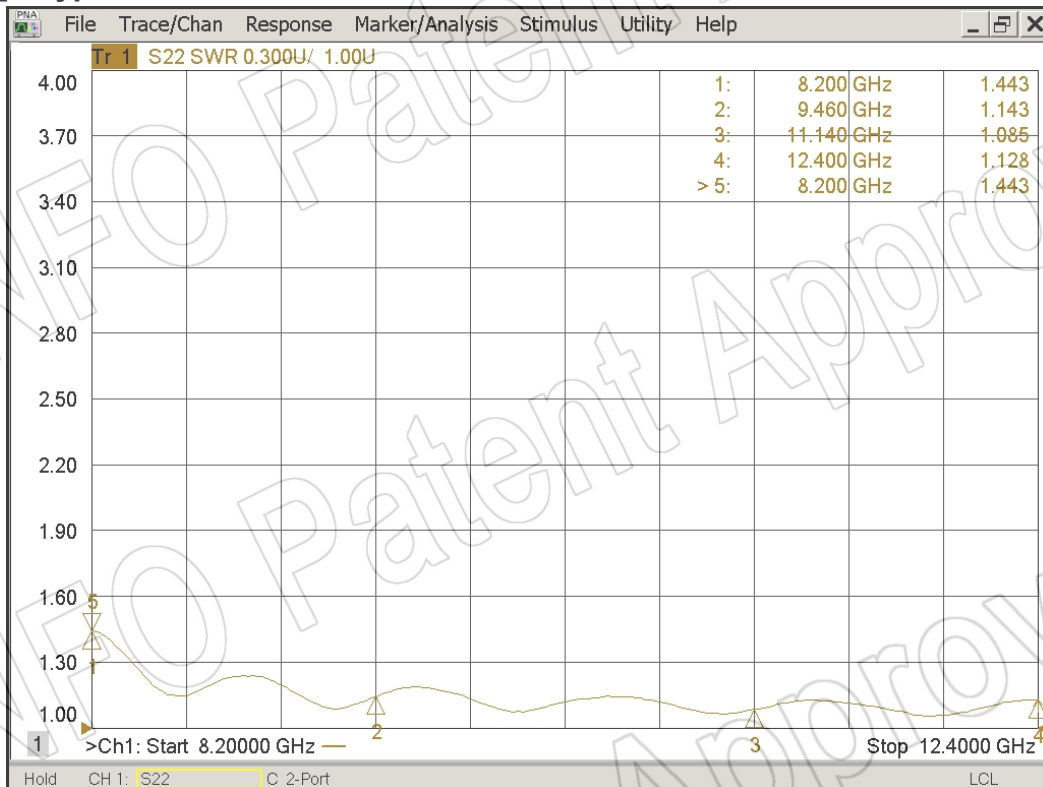
### 1. Gain & Antenna Factor



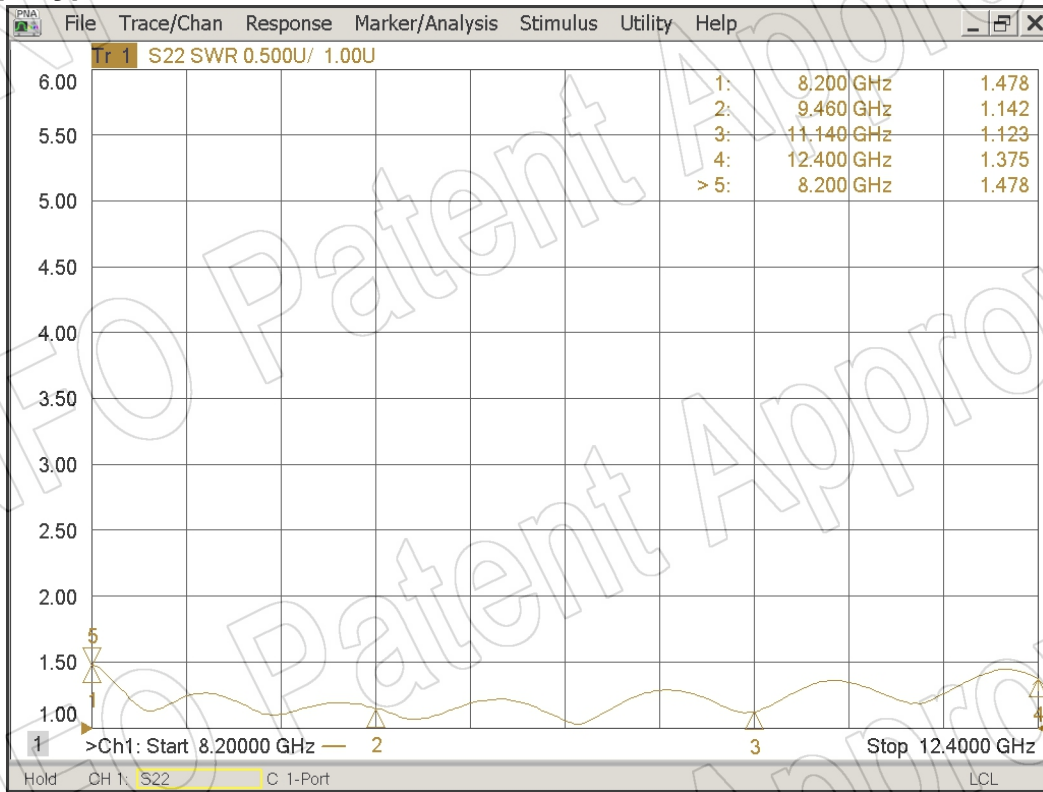
## 2. Cross Polarization Isolation



## 3. VSWR\_A Type



## VSWR\_C Type



## 4. Pattern

